

USER MANUAL



Thank you for choosing Better Bathrooms.
Please read this manual before installing your product
and keep for future reference.

better 
bathrooms

Product

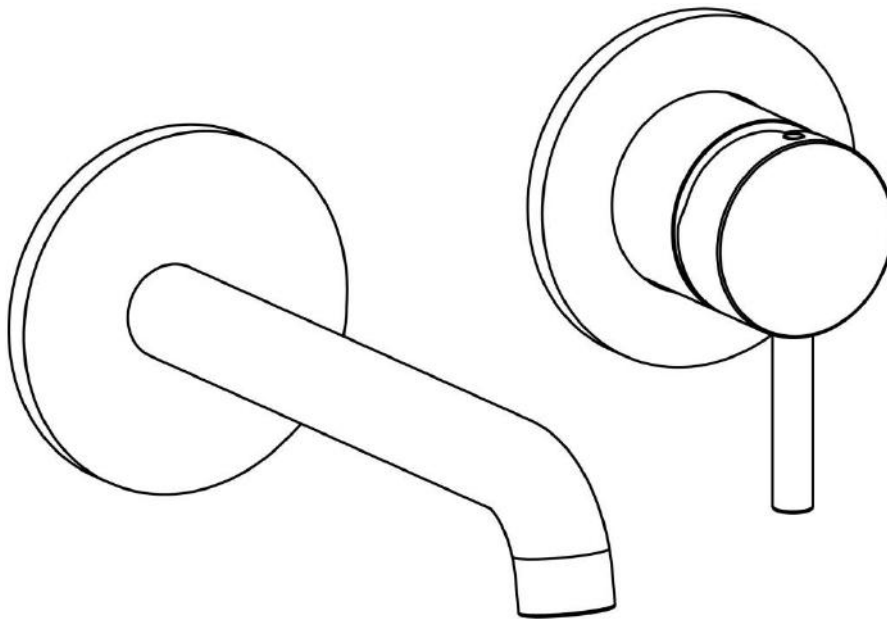
ARIMB004 - Arissa Matt Black Wall Mounted Basin Mixer Tap

ARIBB004 - Arissa Brushed Brass Wall Mounted Basin Mixer Tap

ARICH004 - Arissa Chrome Wall Mounted Basin Mixer Tap

ARIMW003 - Arissa Matt White Wall Mounted Basin Mixer Tap

ARIVRG003 - Arissa Vapour Rose Gold Wall Mounted Basin Mixer Tap



- **Single-person assembly**
- **Tools required**
- **We always recommend using professional tradespeople to install your product**

V1_2/9/2022

Congratulations on your purchase

And welcome to our growing gang of savvy shoppers

We're on a mission to bring you extraordinary bathroom products, for less. From modern to traditional style ceramics, plus the gorgeous fixtures, fittings and furniture to match. So, you can fall in love with your space every single day.

As one of the UK's largest independent bathroom stores, we've received countless awards; including the National Business Awards UK, the Digital Entrepreneur Awards and being placed on The Sunday Times Fast Track 100.

We hope your new product goes above and beyond your expectations. However, should any problems occur, please:

- log in to your account and contact our customer services team via your self-serve portal – betterbathrooms.com/Account/Login
- contact us via betterbathrooms.com/contact-us

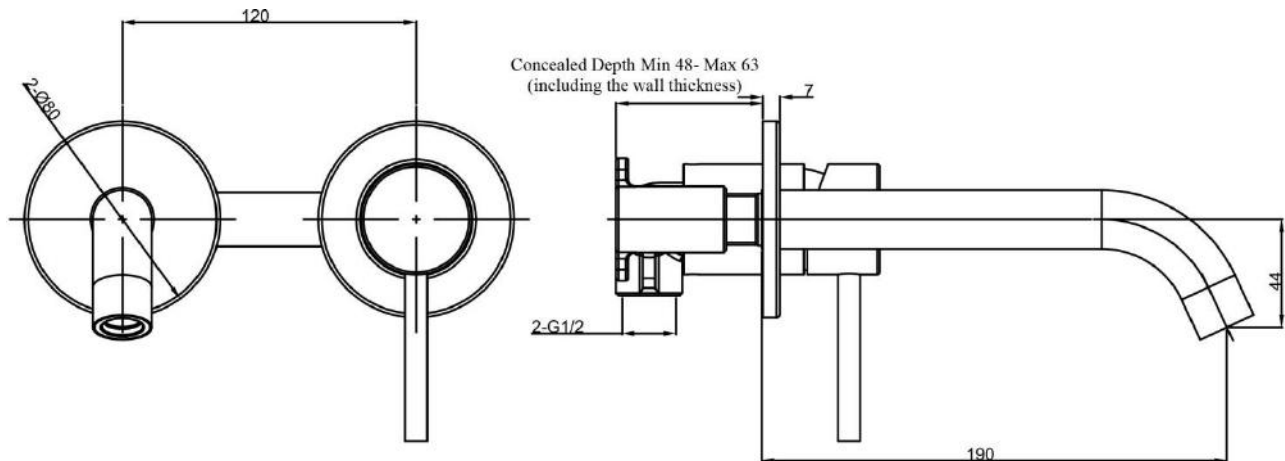
Important information

- Please read these instructions thoroughly and retain for future reference
- Installation must be carried out in compliance with The Water Fittings Regulations and Scottish Water Byelaws.
- The system must be flushed prior to installation
- Minimum and Maximum working pressure : 1 - 5 bar
- Pressures must be equal for optimum performance
- Please do not connect hot and cold water supply lines in reverse. This could result in hot water flowing from cold line and cause scalding.
- The feed-water temperature of water shall not exceed 85°C. Exceeding 85° may cause scalding, the service life of faucets might be shortened, or the faucet might be damaged.
- After installation, please make sure the faucet is securely mounted and checked for leaks.

Parts / Diagrams

No	Part Description
1	Handle assembled
2	Flange assembled
3	Cap
4	Locknut
5	Cartridge
6	Body assembled
7	Flange assembled
8	Connector
9	Spout
10	Aerator with housing

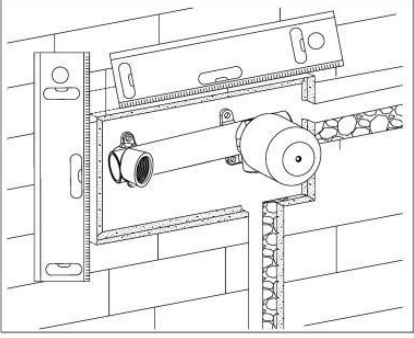
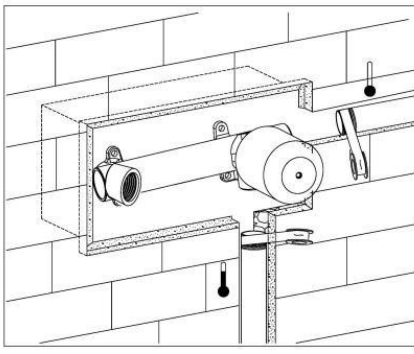
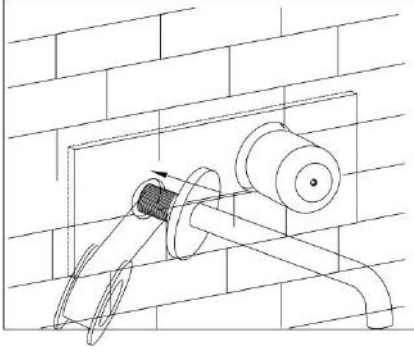
Dimensions

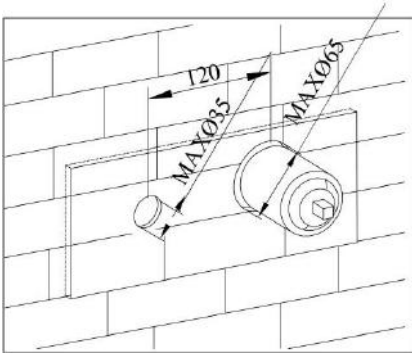
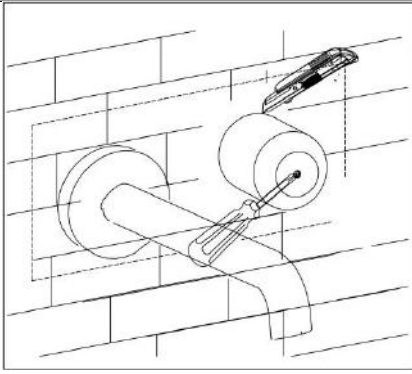


Tools required

- Screw driver
- Drill and Bit
- Spanner
- PTFE Seal tape
- Spirit Level

Installation

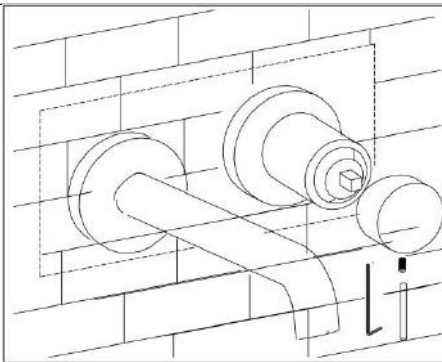
	<p>Based on the size of the body and the wall type, either secure it to the noggins or embed it into the wall at appropriate height and centre in relationship to the basin it will be servicing.</p> <p>The spout can only be to the left hand side of the mixer.</p> <p>Ensure that the body is installed level, plumb and square.</p>
	<p>Connect the hot supply to the inlet indicated by H and cold water supply to the inlet indicated by C using applicable sealing tape.</p>
	<p>Fix the cover trim onto the spout.</p> <p>Apply sealing tape on the spout connector and fix it into the hole in wall, ensuring this is fully inserted.</p> <p>Remove the plastic tiling cover and test for water leaks with the mixer in both open and closed positions and then replace.</p>



Finish the wall as required.

Ensure tiles are cut as close to the plastic template covering the mixer dome as possible; remove the plastic covers after the tiling is completed

Using the dimensions below

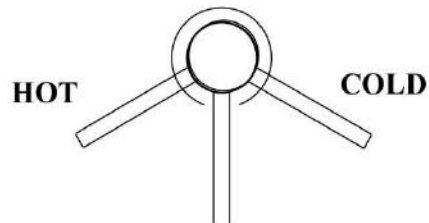
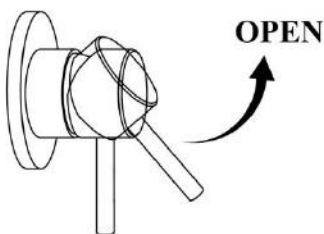


Fix the trim cover plate to the mixer valve.

Install the handle onto the body, and secure using the screw with allen key provided.

Fix the lever into the handle until it's fully tighten.

Operation



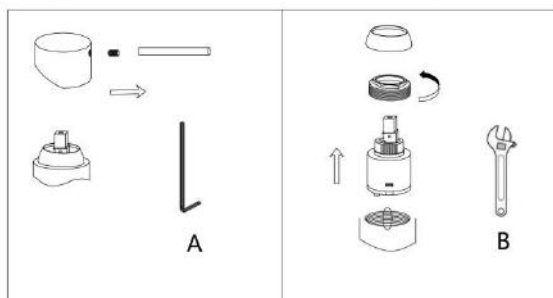
By lifting the Lever Handle upwards, the valve will be activated. Water flow will increase by continuing to lift up the Lever Handle. By rotating the Lever Handle counter-clockwise, the water temperature will decrease. By rotating the Lever Handle clockwise, the water temperature will increase.

Troubleshooting

Issues	Inspection Item
Poor water flow	<ul style="list-style-type: none"> Is there blockage within the filter mesh on aerator Was the system flushed prior to installation Is the mixer cartridge free from debris
Water leak	<ul style="list-style-type: none"> Is there damage or dirt within the O-rings of the cartridge Is there damage or dirt with the rubber washers in the of aerator Is the locknut on top of cartridge fully tightened
Handle loose	<ul style="list-style-type: none"> Is the screw inside the handle fully tightened Is the locknut on top of cartridge fully tightened
Body loose	<ul style="list-style-type: none"> Is the fixing kit underneath fully tightened

Maintenance

Replacement of Cartridge



Cleaning of Aerator

To avoid the dust and impurities from construction that might influence the water flow, it is suggested to clean the aerator on a regular basis.

Type 1: Aerator with Housing	Type 2: Coin Slot Aerator	Type 3: Hidden Aerator with Aerator Key

Cleaning

To maintain the surface of your product, wipe with a clean damp cloth and wipe dry, do not use any abrasive cleaning agents or materials. If any harsh chemicals come into contact with the surface of the product, rinse and wipe clean immediately.

For more information

- visit betterbathrooms.com
- email customerservices@buyitdirect.co.uk
- call 03303903062
- write to Trident Business Park, Neptune Way, Huddersfield, HD2 1UA

better 
bathrooms

Part of the BuyItDirect Group